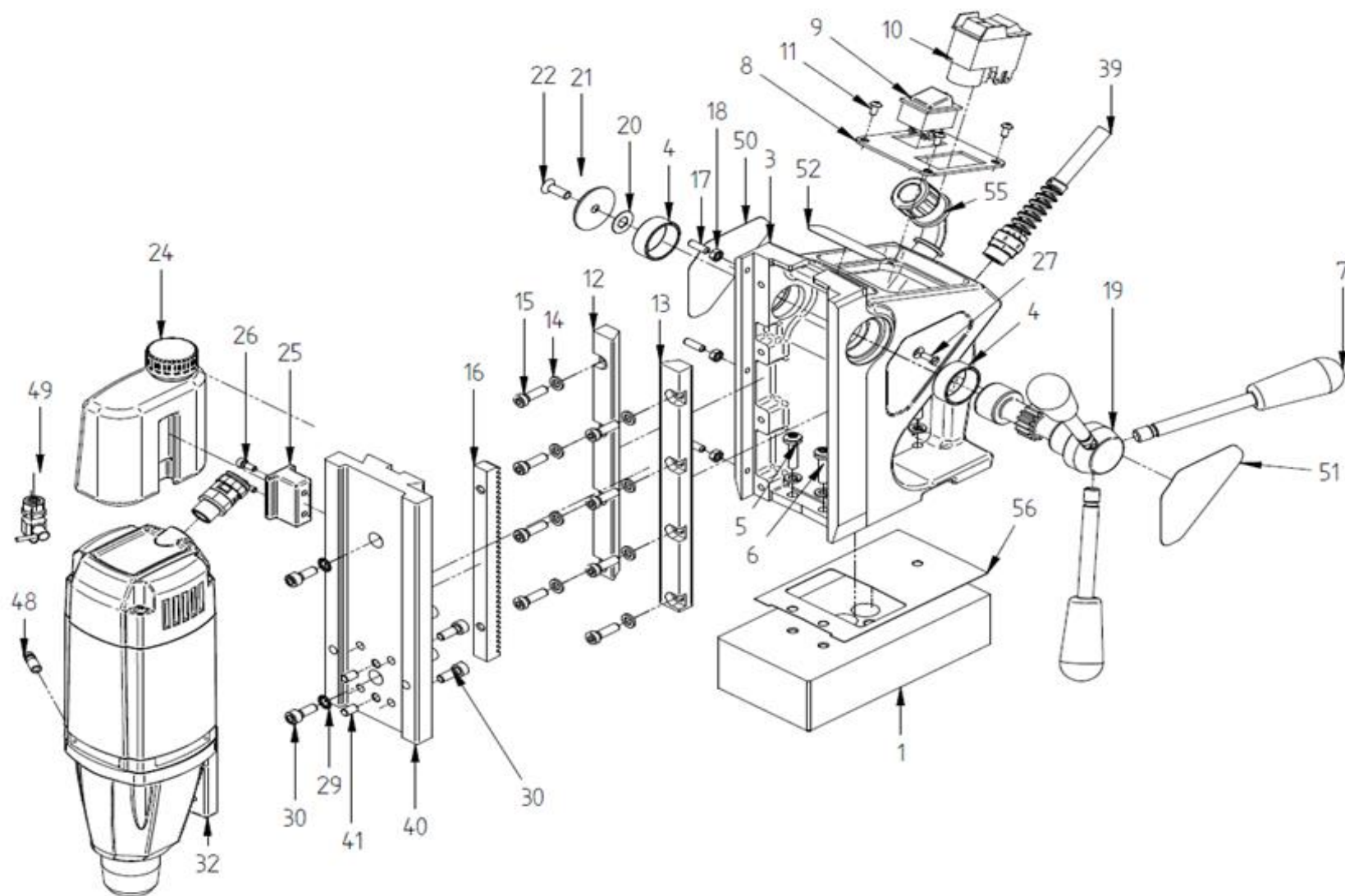


Spare part list 2022/2023**FE Powertools, NL****FE 35DC Motor**

Pos. No.	Article no.	Description
1	580700013	Carbon brush SA
2	209902	Brush Holder SA
3	161710100	CH Screw M4x12
4	421704	Wave washer M4 type B
5	201716	Phillip head self tap screw 4.8x45
6	200403	Back cover
7	590403	Field case Blue RAL 5017
8	77117150	Field SA
9	201703	Phillip head self tap screw 3.9x60
10	200402	Baffle
11	200303	O ring
12	110902101	Ball bearing 608
13	200404	Dust washer
14	77117100	Armature SA
15	201704	Circlip 28mm x 1.2 B Type
16	190901	Ball bearing 6001 2Z
17	590110	GC Cover Silver colour
18	111713100	Circlip 10 mm x 1 A Type
19	590303	Gasket Blue RAL 5017
20	389903	Inter shaft SA
21	7731N470	Inter Gear
22	380201	Inter Shaft
23	74010430	Spindle Gear
24	311707	Washer
25	190905	Ball bearing 6003 2RS
26	590301	Oil Seal 32-19-7
27	590104	Gear case silver colour
28	420902	Ball bearing 6004 2RS
29	599903	Spindle SA
29.1	740C1420	Spindle*
29.2	590204	Washer*
29.3	83000027	Rubber washer*
29.4	590207	Piston*
29.5	2102110	Com.Spring*
30	111306101	Capacitor*
31	211723	Dowel 4x12
32	211730	Star washer
33	201702	CH Screw M4x6

* Parts not shown



Spare part list 2022/2023
FE Powertools, NL

FE 35DC Stand

Pos. No.	Article no.	Description
1	599904	Base SA
2	599905	Main body SA
5	591701	Screw_BS_EN_ISO_14583_M6x25
6	101702100	Spring washer M6 din127
7	599902	Handle lever SA
8	590107	Switch plate
9	211313	Dust proof rocker switch
10	101320100	Power protection switch
11	591710	Button head screw_DIN_7380_M4x8
12	S-2057-01	Guide rail left
13	S-2056-01	Guide rail right
14	591703	Washer DIN 433_604_1_6.4
15	591704	SH Screw_DIN_7984_M6x20
16	590201	Rack
17	211702	Grub Screw_DIN_913_1980_M5x16
18	101760100	Nut_M5
19	590202	Pinion shaft
20	210301	Lock foil
21	560246	Spindle cap
22	211705	CS screw M6x16
23	211306	Cable conduit*
24	599901	Coolant bottle SA
25	590109	Bottle clamp
26	141713	SH DIN 912 M4x12
27	531702	CS brass screw M4x12
28	101728100	Nut M4*
29	201704	Int. Tooth lock washer M6
30	101701100	SH M6x16 DIN 912
32	599906	Drive unit OEM2
34	211309	Pg 9 gland
35	219911	Belt clamp SA*
36	100211200	Guide pin 8 mm*
37	100212100	Guide pin 6 mm*
39	109909102	Spiral gland M16
40	590106	Guide bed
41	591708	Dowel 6x10
42	581303	3 core 1.5 SQ mm CE Rohs cable*
48	591709	Coolant plug
49	599914	Coolant cock SA
55	591711	Pg 9 gland 90°
56	590302	Main body gasket

* Parts not shown

Spare part list 2022/2023

FE 35DC Wiring diagram

